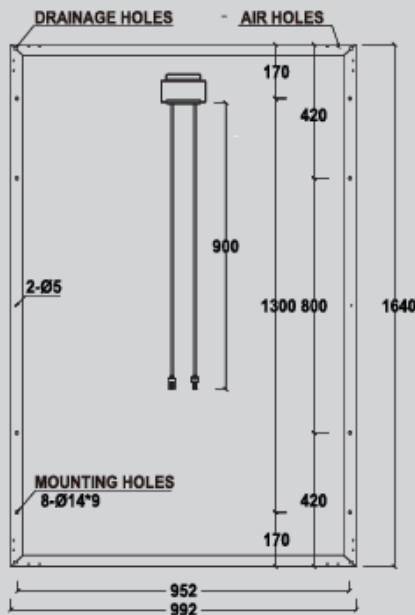
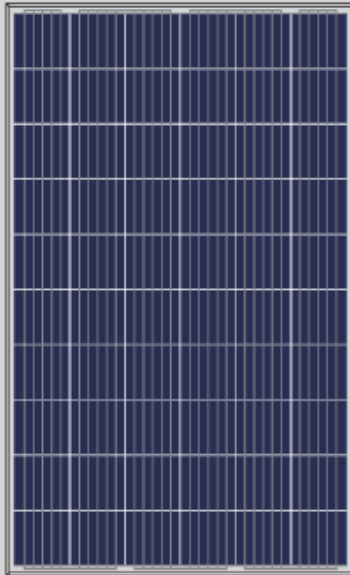


6P-260 6P-265 6P-270 6P-275 6P-280



▼ Engineering Drawings (Front Side)



Raw Materials and Mechanical Parameters

	6P-260	6P-265	6P-270	6P-275	6P-280
Type of Cells(mm)	poly156.75 × 156.75				
NO. of Cells and Connections	6 × 10=60				
Dimensions(mm)(L*W*H)	1640 × 992 × 35/40				
Weight(kg)	17.9/18.2				
Glass	3.2mm Tempered Glass				
Encapsulation	EVA				
Backsheet	Multilayer Composite				
Aluminium-Frame	Silver/Black Anodized aluminium alloy				
Junction-Box	IP67/IP68				
Cable	4mm ² ,900mm				
Connector	MC4 and MC4 Compatible				
Package Configuration	30/26 pcs/pallet				
40GP	840pcs (30/PALLET)		728pcs (26/PALLET)		
40HQ	896pcs (30/PALLET)		784pcs (26/PALLET)		

Performance Parameters

	6P-260	6P-265	6P-270	6P-275	6P-280
Maximum System Voltage	1000V				
Operating Temperature	-45~+80°C				
Maximum Series Fuse	20A				
Maximum Static Load,Front Side (e.x. Snow,Wind)	5400PA				
Maximum Static Load, Back Side(e.x. Wind)	2400PA				
Application Grade	Class A				

Electrical Parameters (Standard Test Condition)

	6P-260	6P-265	6P-270	6P-275	6P-280
Rated Maximum Power(Mp)	260W	265W	270W	275W	280W
Power Tolerance	0- +5W				
	15.98%	16.29%	16.60%	16.90%	17.21%
Open Circuit Voltage(Voc)	37.9V	38.1V	38.3V	38.6V	38.8V
Maximum Power Voltage(Vmp)	30.7V	30.9V	31.1V	31.3V	31.5V
Short Circuit Current(Isc)	8.98A	9.09A	9.20A	9.31A	9.42A
Maximum Power Current(Imp)	8.47A	8.58A	8.68A	8.79A	8.89A
Temperature Coefficient of Isc	+0.06%				
Temperature Coefficient of Voc	-0.33%				
Temperature Coefficient of Pmp	-0.45%				
Standard Test Condition	Irradiance:1000W/M ² ,Cell Temperature:25°C,Spectrum:AM:1.5				

The Electrical Parameters of the module are the average theory figure under the standard test condition, each one exists difference. Can not be treated as the basis of module delivery.



Solar Panels for Recreation and Small-Scale Installations.
Wacomp Business CC Reg no 2001 / 032052 / 23

10 Grenache Close, Zevenzicht Estate
Langverwacht Rd, Kuils River, 7580

Ph: 087 700 4819 // 082 500 1204
E-mail: info@solarflex.co.za